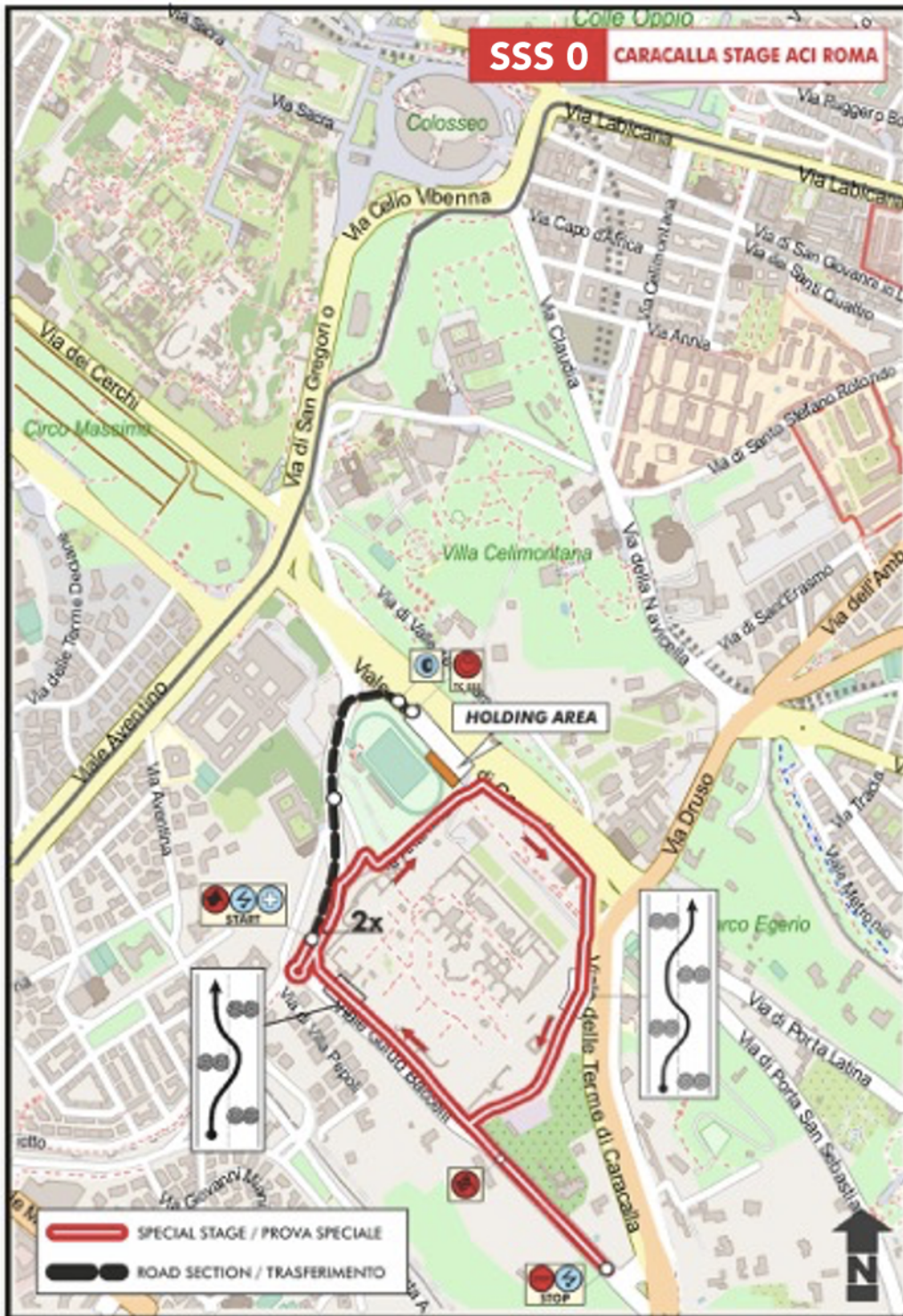
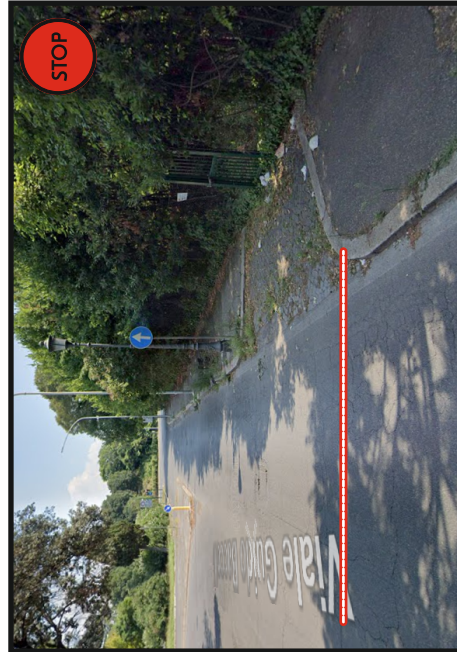


ATTACHEMENT 2: Road book Section 0 – TC SSS 0 Caracalla > TCSSA - PF IN

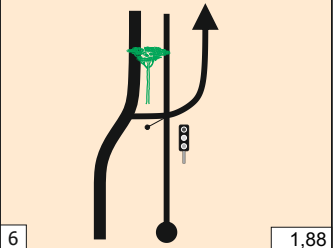

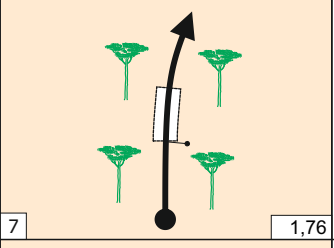
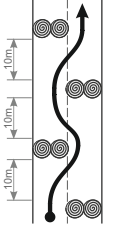
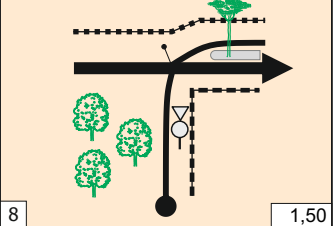

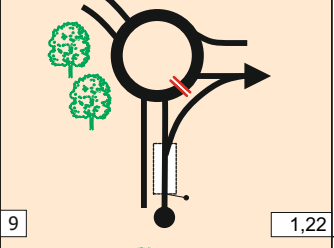
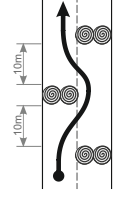
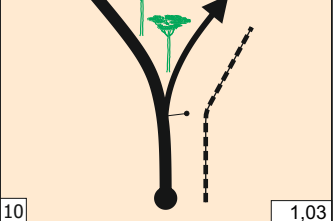




LIST OF CHICANES	
<p>0,97</p>	
<p>1,50</p>	
<p>2,42</p>	

TC SSS		VIALLE DELLE TERME		Distance:	LEG	
TC SSSA		REGROUP & PARC FERME IN		95,97 km	SECTION 0	
Special Stage:				Record:	Time allowed:	
SSS0 CARACALLA ACI ROMA 2,72 km				New stage	2h00 min	
Distance		Direction		Information		Distance regress
Total	Partial					
0,00	---					95,97
		1	2,72	N-41° 52.786'	E-12° 29.394'	
0,08	0,08					95,89
		2	2,64			
0,23	0,15					95,74
		3	2,49			
0,29	0,06			<div style="border: 1px solid gray; padding: 2px; display: inline-block;">VIA ANTONINA</div>		95,68
		4	2,43			
0,55	0,26					95,42
		5	2,17			

0,29 ↘

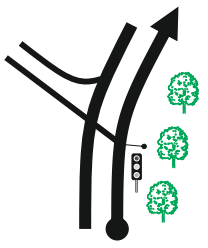

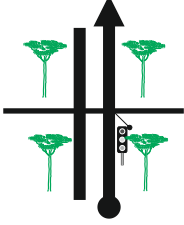

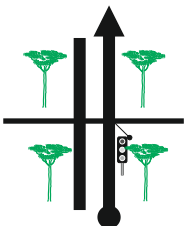

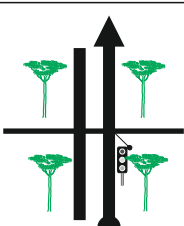

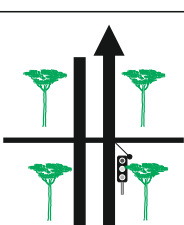

TC SSS		VIALLE DELLE TERME		Distance:	LEG	1
TC SSSA		REGROUP & PARC FERME IN		95,97 km	SECTION	0
Special Stage:				Record:	Time allowed:	
SSS0 CARACALLA ACI ROMA 2,72 km				New stage	2h00 min	
Distance		Direction		Information	Distance regress	
Total	Partial					
0,84	0,29				95,13	
		6	1,88			
0,96	0,12				95,01	
		7	1,76			
1,22	0,26				94,75	
		8	1,50			
1,50	0,28			 !! CHICANE-2	94,47	
		9	1,22			
1,69	0,19				94,28	
		10	1,03			

0,06 ↘

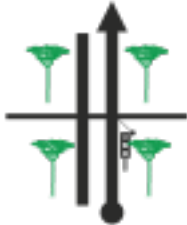

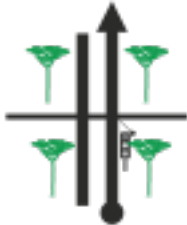







TC SSS		VIALLE DELLE TERME		Distance:	LEG	1
TC SSSA		REGROUP & PARC FERME IN		95,97 km	SECTION	0
Special Stage:				Record:	Time allowed:	
SSS0 CARACALLA ACI ROMA				2,72 km	New stage	2h00 min
Distance		Direction		Information		Distance regress
Total	Partial					
1,75	0,06			VIA ANTONINA		94,22
2,01	0,26					93,96
2,30	0,29					93,67
2,42	0,12			CHICANE-1		93,55
2,68	0,26					93,29

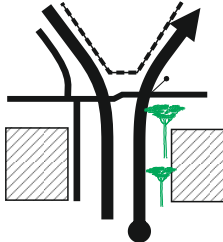

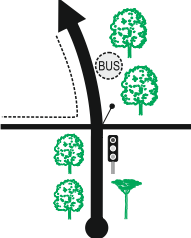

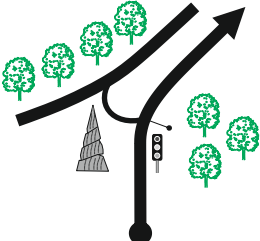

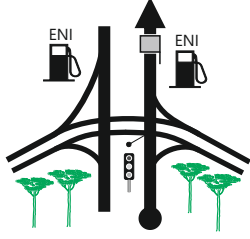




0,04 ↘

TC SSS		VIALLE DELLE TERME		Distance:	LEG	1
TC SSSA		REGROUP & PARC FERME IN		95,97 km	SECTION	0
Special Stage:				Record:	Time allowed:	
SSS0 CARACALLA ACI ROMA 2,72 km				New stage	2h00 min	
Distance		Direction		Information		Distance regress
Total	Partial					
2,72	0,04					93,25
		16	0,00			
2,92	0,20					93,05
		17				
3,06	0,14					92,91
		18				
3,85	0,79					92,12
		19				
4,27	0,42					91,70
		20				
						0,33 ↘

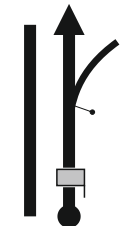

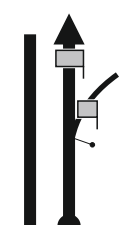
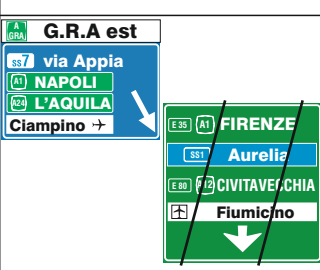


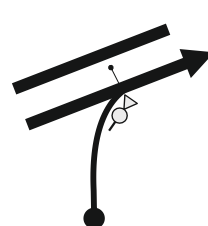


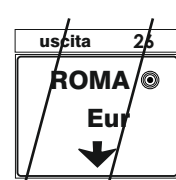
TC SSS		VIALLE DELLE TERME		Distance:	LEG	1
TC SSSA		REGROUP & PARC FERME IN		95,97 km	SECTION	0
Special Stage:				Average:	Time allowed:	
SSS0 CARACALLA ACI ROMA 2,72 km				47,9 km/h	2h00 min	
Distance		Direction		Information		Distance regress
Total	Partial					
4,60	0,33	 21		 <i>via Cristoforo Colombo</i>		91,37
4,90	0,30	 22		 <i>via Cristoforo Colombo</i>		91,07
5,30	0,40	 23		 <i>via Cristoforo Colombo</i>		90,67
5,57	0,27	 24		 <i>via Cristoforo Colombo</i>		90,40
5,87	0,30	 25		 <i>via Cristoforo Colombo</i>		90,10

0,25 ↘

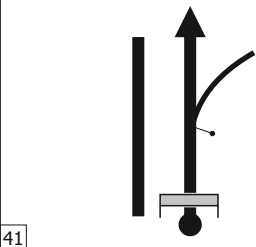
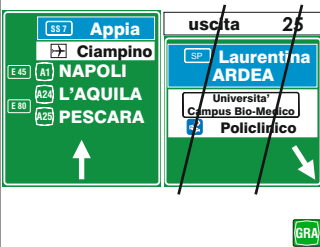

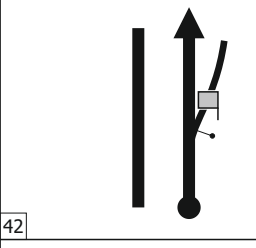

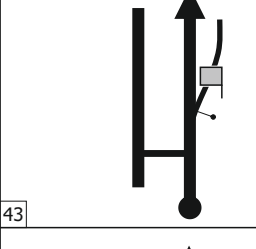

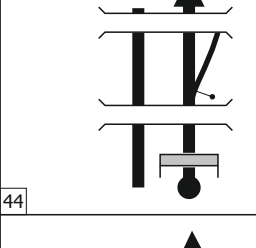
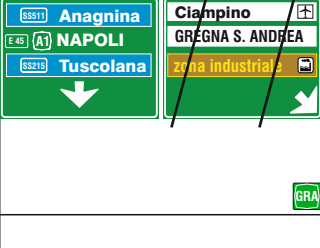
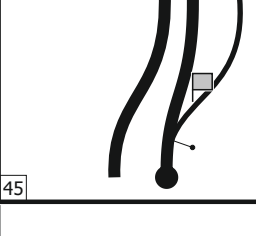

TC SSS		VIALLE DELLE TERME		Distance:	LEG	1
TC SSSA		REGROUP & PARC FERME IN		95,97 km	SECTION	0
Special Stage:				Average:	Time allowed:	
SSS0 CARACALLA ACI ROMA 2,72 km				47,9 km/h	2h00 min	
Distance		Direction		Information		Distance regress.
Total	Partial					
6,12	0,25			 via Cristoforo Colombo		89,85
6,27	0,15			 via Cristoforo Colombo		89,70
6,69	0,42			 via Cristoforo Colombo		89,28
6,87	0,18			 via Cristoforo Colombo		89,10
8,45	1,58			via Cristoforo Colombo		87,52
						

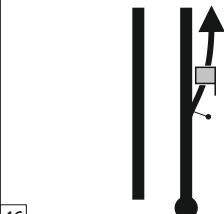

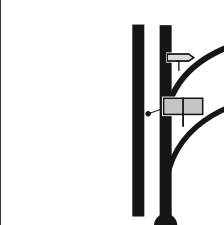
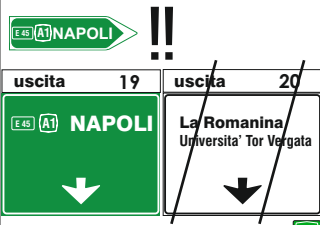
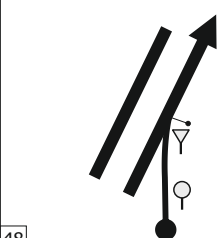

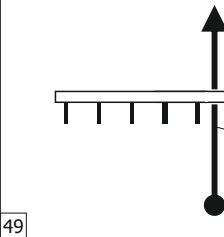

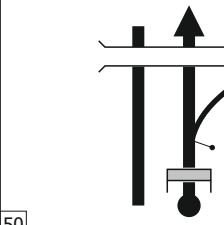

TC SSS		VIALLE DELLE TERME	Distance:	LEG	1
TC SSSA		REGROUP & PARC FERME IN	95,97 km	SECTION	0
Special Stage:		SSS0 CARACALLA ACI ROMA 2,72 km	Average:	Time allowed:	
			47,9 km/h	2h00 min	
Distance		Direction	Information	Distance regress	
Total	Partial				
9,15	0,70	 31	 via Cristoforo Colombo		86,82
9,86	0,71	 32	 via Cristoforo Colombo		86,11
10,56	0,70	 33	 via Cristoforo Colombo		85,41
11,07	0,51	 34	 		84,90
11,81	0,74	 35			84,16

0,35 ↘

TC SSS		VIALLE DELLE TERME		Distance:	LEG	1
TC SSSA		REGROUP & PARC FERME IN		95,97 km	SECTION	0
Special Stage:				Average:	Time allowed:	
SSS0 CARACALLA ACI ROMA 2,72 km				47,9 km/h	2h00 min	
Distance		Direction	Information	Distance regress		
Total	Partial					
12,16	0,35			83,81		
		36				
12,96	0,80			83,01		
		37				
13,26	0,30			82,71		
		38				
13,52	0,26			82,45		
		39				
13,68	0,16			82,29		
		40				

1,94

TC SSS		VIALLE DELLE TERME	Distance:	LEG	1
TC SSSA		REGROUP & PARC FERME IN	95,97 km	SECTION	0
Special Stage:		SSS0 CARACALLA ACI ROMA 2,72 km	Average:	Time allowed:	
			47,9 km/h	2h00 min	
Distance		Direction	Information	Distance regress	
Total	Partial				
15,62	1,94	 41	 uscita 25  GRA	80,35	
20,27	4,65	 42	 uscita 24 GRA	75,70	
23,90	3,63	 43	 uscita 23 GRA	72,07	
25,14	1,24	 44	 uscita 22 GRA	70,83	
26,79	1,65	 45	 uscita 21-22 GRA	69,18	
	1,81				

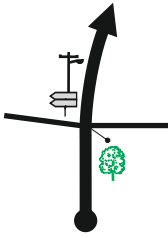

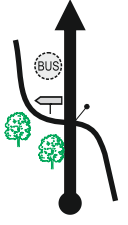

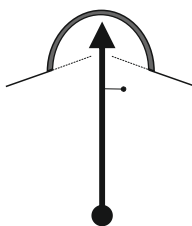
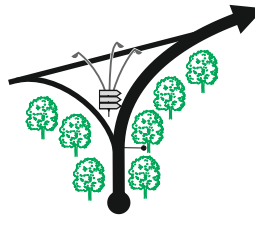

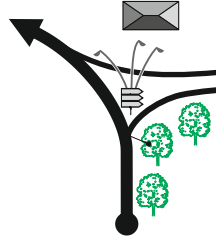

TC SSS		VIALLE DELLE TERME		Distance:	LEG	1
TC SSSA		REGROUP & PARC FERME IN		95,97 km	SECTION	0
Special Stage:		SSS0 CARACALLA ACI ROMA		2,72 km	Average:	Time allowed:
				47,9 km/h	2h00 min	
Distance		Direction		Information		Distance regress
Total	Partial					
28,60	1,81					67,37
		46		GRA		
28,91	0,31					67,06
		47		GRA		
29,22	0,31					66,75
		48		A1		
33,96	4,74					62,01
		49		A1		
43,53	9,57					52,44
		50				
		3,56				

TC SSS		VIALLE DELLE TERME		Distance:	LEG	1
TC SSSA		REGROUP & PARC FERME IN		95,97 km	SECTION	0
Special Stage:		SSS0 CARACALLA ACI ROMA		Average:	Time allowed:	
		2,72 km		47,9 km/h	2h00 min	
Distance		Direction		Information		Distance regress
Total	Partial					
47,09	3,56	51				48,88
58,22	11,13	52				37,75
64,15	5,93	53				31,82
75,39	11,24	54				20,58
75,92	0,53	55				20,05

0,12

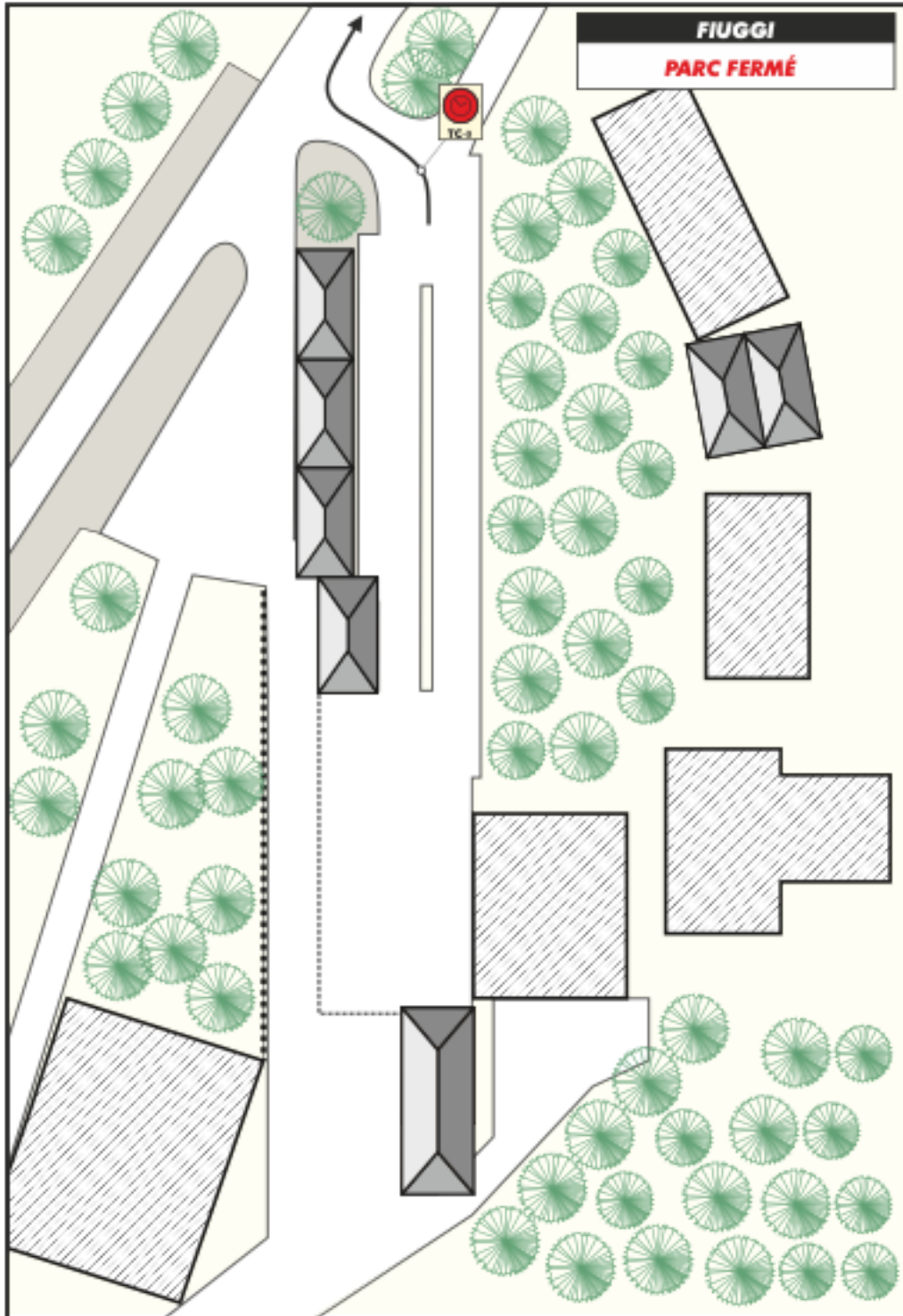
TC SSS		VIALLE DELLE TERME		Distance:	LEG	1
TC SSSA		REGROUP & PARC FERME IN		95,97 km	SECTION	0
Special Stage:				Average:	Time allowed:	
SSS0 CARACALLA ACI ROMA 2,72 km				47,9 km/h	2h00 min	
Distance		Direction		Information		Distance regress
Total	Partial					
76,04	0,12					19,93
		56		SS 155/racc		
76,82	0,78					19,15
		57		SS 155/racc		
78,83	2,01					17,14
		58		SS 155/racc		
80,48	1,65					15,49
		59		SS 155/racc		
81,04	0,56					14,93
		60		SS 155/racc		

4,37 ↘

TC SSS		VIALLE DELLE TERME		Distance:	LEG	1
TC SSSA		REGROUP & PARC FERME IN		95,97 km	SECTION 0	
Special Stage:				Average:	Time allowed:	
SSS0 CARACALLA ACI ROMA 2,72 km				47,9 km/h	2h00 min	
Distance		Direction		Information		Distance regress
Total	Partial					
85,41	4,37	 61		 SS 155/racc		10,56
87,81	2,40	 62		 SS 155/racc		8,16
90,57	2,76	 63		TUNNEL GALERIA SS 155/racc		5,40
93,29	2,72	 64		 SS 155/racc		2,68
93,83	0,54	 65		 SS 155/racc		2,14
		0,84 ↘				

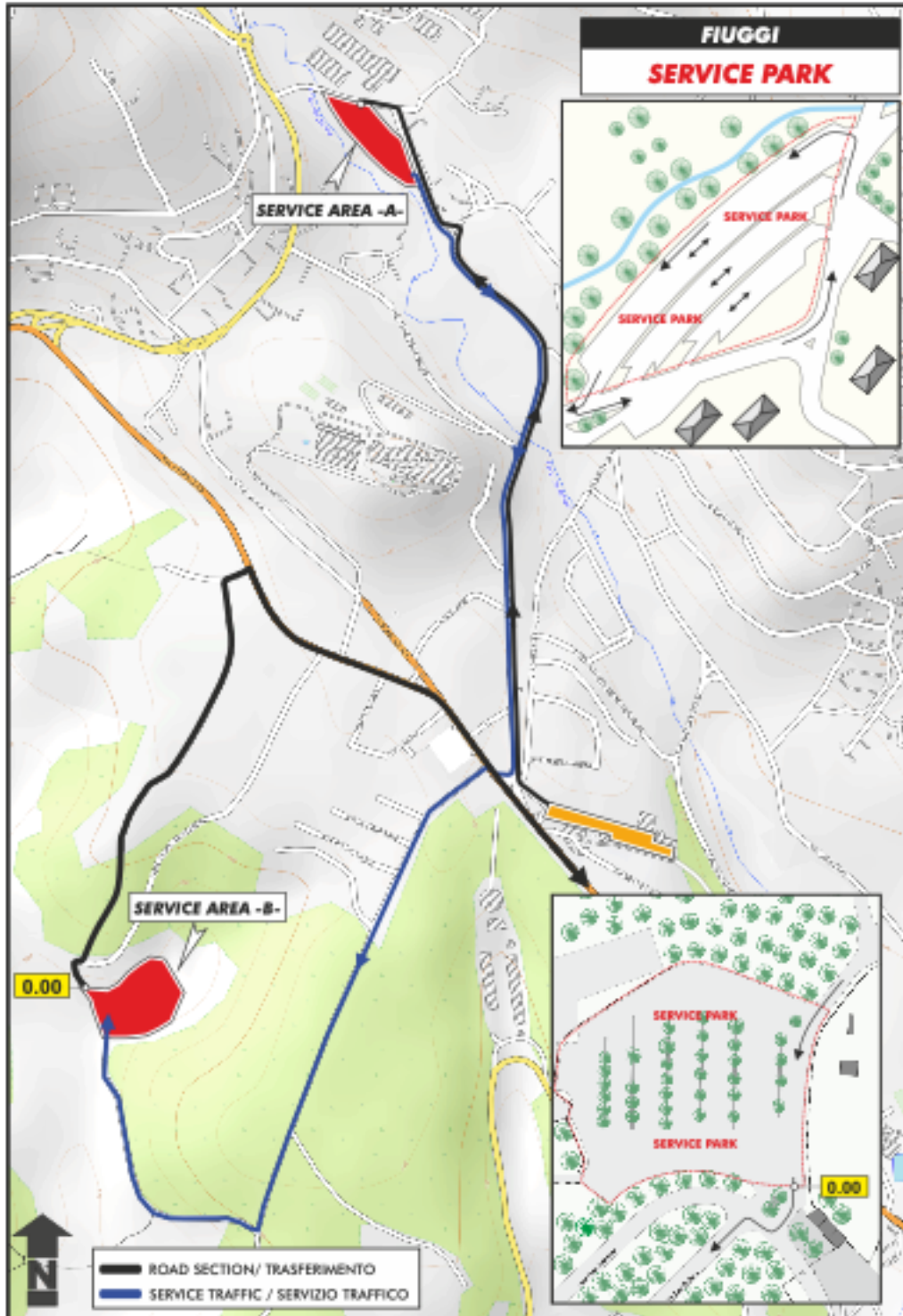
TC SSS		VIALLE DELLE TERME		Distance:	LEG	1
TC SSSA		REGROUP & PARC FERME IN		95,97 km	SECTION	0
Special Stage:		SSS0 CARACALLA ACI ROMA		2,72 km	Average:	Time allowed:
				47,9 km/h	2h00 min	
Distance		Direction		Information		Distance regress
Total	Partial					
94,67	0,84	<p>66</p>		<p>SS 155</p>		1,30
94,98	0,31	<p>67</p>		<p>SS 155</p>		0,99
95,58	0,60	<p>68</p>				0,39
95,97	0,39	<p>69</p>		<p>N-41° 47.452' E-13° 13.419'</p>		0,00

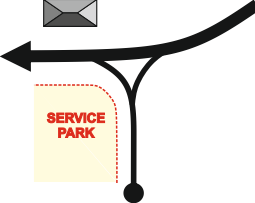
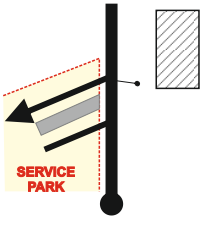

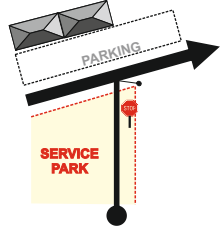


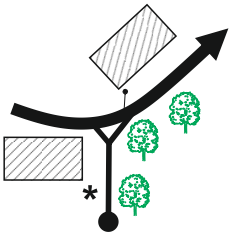
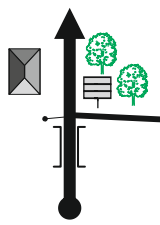
ATTACHED 3 Road Book Section1 TC0 - PF Out > TC0A - Service A IN

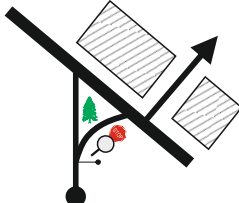


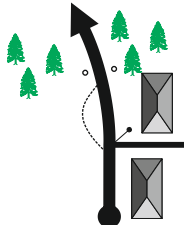
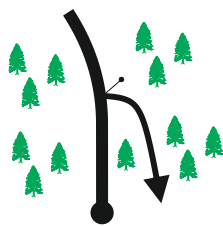
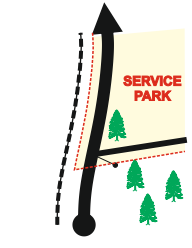

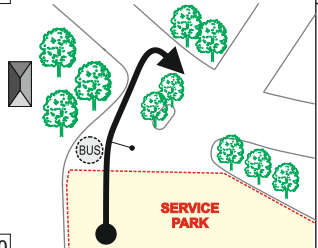







TC 0		PARC FERME OUT		Distance:	LEG	1
TC 0A		SERVICE IN		1,11 km	SECTION	1
Special Stage:				Average:	Time allowed:	
				13,3 km/h	5 min	
Distance		Direction		Information		Distance regress
Total	Partial					
0,00	---	 1		 TC 0 Parc Ferme OUT SR 155 N-41° 47.499' E-13° 13.411'		1,11
0,06	0,06	 2		 		1,05
0,55	0,49	 3		 		0,56
0,89	0,34	 4		* Hotel Capri		0,22
1,11	0,22	 5		 TC 0A Service IN N-41° 48.026' E-13° 13.138'		0,00

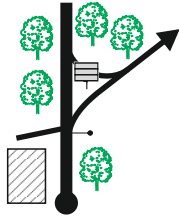

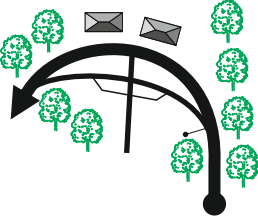
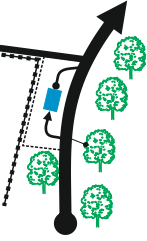


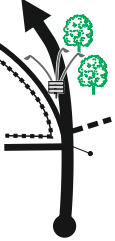


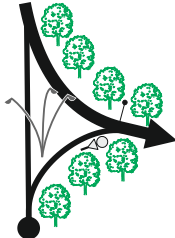

ATTACHED 4: Road Book Section1 TC 0B > TC1 Cave

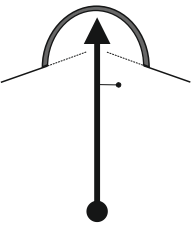

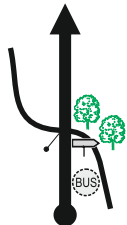



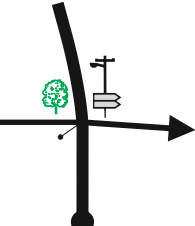
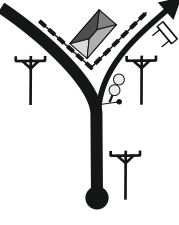





SERVICE A - ENTRANCE		Distance:	LEG	1
SERVICE B - EXIT		2,49 km	SECTION 1	
Special Stage:		Average:	Time allowed:	
Distance		Direction	Information	Distance regress
Total	Partial			
0,00	---	 <p>1</p>	<div style="border: 1px solid black; padding: 2px; display: inline-block;">SERVICE-ENTRANCE</div> Fiuggi - Service A	2,49
			N-41° 48.026' E-13° 13.138'	
0,06	0,06	 <p>2</p>	 <div style="border: 1px solid black; padding: 2px; display: inline-block;">Service A</div>	2,43
0,24	0,18	 <p>3</p>	 	2,25
0,34	0,10	 <p>4</p>	* Hotel Capri	2,15
0,69	0,35	 <p>5</p>	<div style="border: 1px solid black; padding: 2px; display: inline-block; background-color: #008000; color: white;">← autostrada</div> <div style="border: 1px solid black; padding: 2px; display: inline-block; background-color: #0000FF; color: white;">← ROMA 85</div> <div style="border: 1px solid black; padding: 2px; display: inline-block; background-color: #0000FF; color: white;">← ANAGNI 20</div> <div style="border: 1px solid black; padding: 2px; display: inline-block; background-color: #0000FF; color: white;">← ALATRI 18</div> <div style="border: 1px solid black; padding: 2px; display: inline-block; background-color: #0000FF; color: white;">← FROSINONE 30</div>	1,80
	0,47			

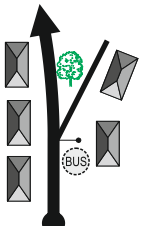
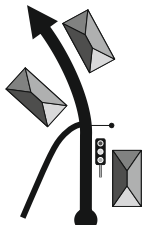
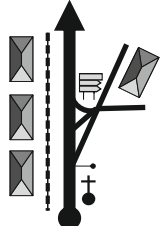
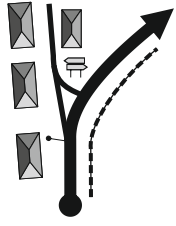
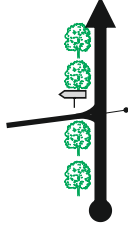
SERVICE A - ENTRANCE		Distance:	LEG	1
SERVICE B - EXIT		2,49 km	SECTION	1
Special Stage:		Average:	Time allowed:	
Distance		Direction	Information	Distance regress
Total	Partial			
1,16	0,47	6 	 	1,33
1,50	0,34	7 		0,99
1,97	0,47	8 		0,52
2,37	0,40	9 	 Service B	0,12
2,49	0,12	10 	 SERVICE-EXIT Fiuggi - Service A	0,00
		N-41° 47.356' E-13° 12.828'		

TC 0B/3D FIUGGI - SERVICE OUT		Distance:	LEG	1
TC 1/4 CAVE		35,31 km	SECTION	1/2
		Average:	Time allowed:	
		42,4 km/h	50 min	
Distance		Direction	Information	Distance regress
Total	Partial			
0,00	---	1	 TC 0/3D Fiuggi - Service OUT	35,31
			N-41° 47.356' E-13° 12.828'	
0,02	0,02	2	 TYRE MARKING PUNZONATURA PNEUMATICI	35,29
0,65	0,63	3	 SP 155	34,66
0,82	0,17	4	SP 155	34,49
1,17	0,35	5	 SP 155	34,14
	0,43			

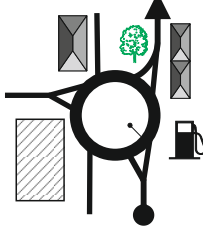





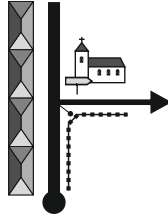




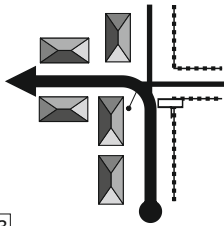




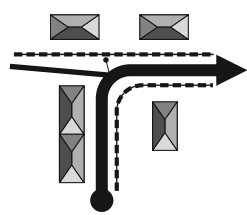




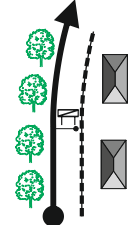




TC 0B/3D FIUGGI - SERVICE OUT		Distance:	LEG	1
TC 1/4 CAVE		35,31 km	SECTION	1/2
		Average:	Time allowed:	50 min
Distance		Direction	Information	Distance regress
Total	Partial			
1,60	0,43	6	  SP 123	33,71
2,17	0,57	7	 SP 123	33,14
2,63	0,46	8	  RZ 1/2 Fiuggi-Refueling Zone  SP 123 N-41° 47.073' E-13° 13.290'	32,68
2,71	0,08	9	   SS 155/racc	32,60
2,92	0,21	10	  SS 155/racc	32,39
2,02				

TC 0B/3D FIUGGI - SERVICE OUT		Distance:	LEG	1
TC 1/4 CAVE		35,31 km	SECTION	1/2
		Average:	Time allowed:	
		42,4 km/h	50 min	
Distance		Direction	Information	Distance regress
Total	Partial			
4,94	2,02	11 	TUNNEL GALERIA 	30,37
8,40	3,46	12 	ACUTO 	26,91
10,37	1,97	13 	PIGLIO 	24,94
10,81	0,44	14 	PIGLIO ROIATE 20 !!	24,50
11,93	1,12	15 	centro abitato  	23,38
1,20 				

TC 0B/3D FIUGGI - SERVICE OUT		Distance:	LEG	1
TC 1/4 CAVE		35,31 km	SECTION	1/2
		Average:	Time allowed:	
		42,4 km/h	50 min	
Distance		Direction	Information	Distance regress
Total	Partial			
13,13	1,20	16 		22,18
14,39	1,26	17 		20,92
15,67	1,28	18 		19,64
16,04	0,37	19 		19,27
16,82	0,78	20 		18,49
				0,86

TC 0B/3D FIUGGI - SERVICE OUT		Distance:	LEG	1
TC 1/4 CAVE		35,31 km	SECTION	1/2
		Average:	Time allowed:	
		42,4 km/h	50 min	
Distance		Direction	Information	Distance regress
Total	Partial			
17,68	0,86	21 	SS 155	17,63
17,95	0,27	22 	SS 155	17,36
18,89	0,94	23 	SAN QUIRICO ROIATE SUBIACO SS 155	16,42
19,40	0,51	24 	PALIANO ROMA NAPOLI A1 ROMA 60 SS 155	15,91
22,62	3,22	25 	PALIANO SS 155	12,69
2,55				

TC 0B/3D FIUGGI - SERVICE OUT		Distance:	LEG	1
TC 1/4 CAVE		35,31 km	SECTION	1/2
		Average:	Time allowed:	
		42,4 km/h	50 min	
Distance		Direction	Information	Distance regress
Total	Partial			
25,17	2,55			10,14
26,29	1,12			9,02
29,32	3,03			5,99
30,18	0,86			5,13
33,23	3,05			2,08
0,45				

TC 0B/3D FIUGGI - SERVICE OUT		Distance:	LEG	1
TC 1/4 CAVE		35,31 km	SECTION	1/2
		Average:	Time allowed:	
		42,4 km/h	50 min	
Distance		Direction	Information	Distance regress
Total	Partial			
33,68	0,45	 31	    	1,63
33,79	0,11	 32	   	1,52
34,02	0,23	 33	   	1,29
34,40	0,38	 34	   	0,91
35,03	0,63	 35	   	0,28
	0,28			

TC 0B/3D FIUGGI - SERVICE OUT		Distance:	35,31 km		LEG	1
TC 1/4 CAVE		Average:	42,4 km/h		SECTION	1/2
					Time allowed:	50 min
Distance		Direction	Information		Distance regress	
Total	Partial					
35,31	0,28		 <div style="border: 1px solid black; padding: 5px; display: inline-block;"> TC 1/4 Cave </div> <div style="border: 1px solid blue; padding: 2px; display: inline-block; font-size: small;">SP 52b</div> <small>N-41° 49.790' E-12° 55.799'</small>		0,00	
	0,10			 <div style="border: 1px solid black; padding: 5px; display: inline-block;"> SS 1/4 Rocca di Cave </div> <div style="border: 1px solid blue; padding: 2px; display: inline-block; font-size: small;">SP 52b</div> <small>N-41° 49.809' E-12° 55.812'</small>		
		1				